



**PERFORMANCE SPECIFICATIONS**

<b>Voltage per unit</b>	12 Volts
<b>Cell per unit</b>	6 cells
<b>Nominal Capacity (10.50 Volts)</b>	
20 hr.	5A / 100Ah
10 hr.	9.2A / 92Ah
5 hr.	15.8A / 79Ah
1 hr.	55.2A / 55.2Ah
<b>Approximate Weight</b>	66.15 lb / 30.00 kg
<b>Energy Density</b>	1.86 W-h/in <sup>3</sup> (113.45 W-h/l)
<b>Specific Density</b>	17.65 W-h/lb (38.91 W-h/kg)
<b>Internal Resistance</b>	(Approx.) 5mΩ
<b>Max Discharge Current</b>	300A (7 Min.)
<b>Max Short-Duration Discharge Current</b>	750A (10 Sec.)

<b>Shelf Life</b>			
1 Month	3 Months	6 Months	12 Months
97%	91%	83%	64%

<b>Operating Temperature Range</b>	
Charge	-4°F (-20°C) to 122°F (50°C)
Discharge	-40°F (-40°C) to 140°F (60°C)

<b>Charging Voltage (25°C)</b>	
Cycle Use	14.4-15V(-30mV/°C), Max. Current 20.0A
Float Use	13.6-13.8V(-20mV/°C)

<b>Terminal Type</b>	NB
<b>Certificate</b>	ce,ur

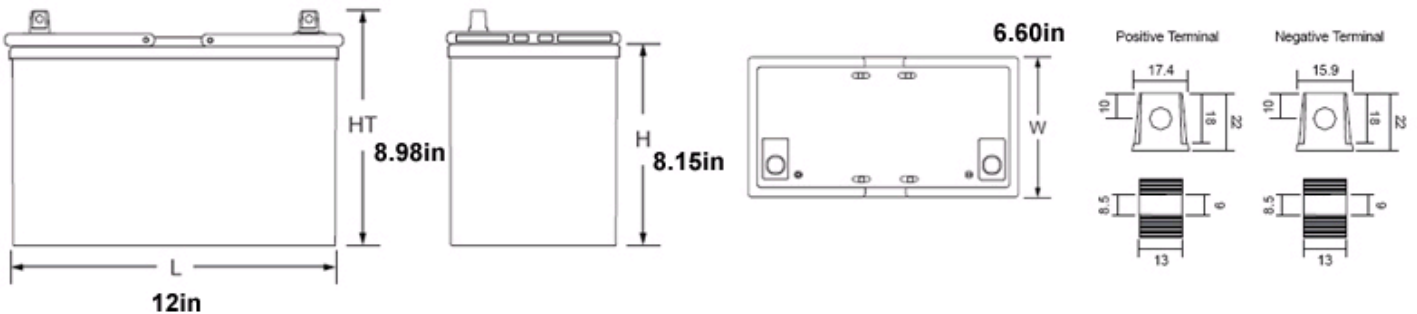
**FEATURES**

Amstron AP12-100P Rechargeable Sealed Lead Acid Battery is designed with AGM (Absorbent Glass Mat) technology, high performance plates and electrolyte to produce extra output power for common power backup system applications. This battery uses a state of the art, heavy-duty, calcium-alloy grid that provides exceptional performance and service life in both float and cyclic applications.

- Air & Transport Approved: DOT, IATA, FAA
- BCI Group Size: 27F
- UL recognized under file number MH47341
- Rugged impact resistant ABS case and cover (UL94-HB)
- Flame Retardant (UL94V-0) Optional
- Sealed and maintenance free operation
- Non-Spill construction design
- Valve Regulated Lead Battery (VRLA) Safety venting valve for pressure release

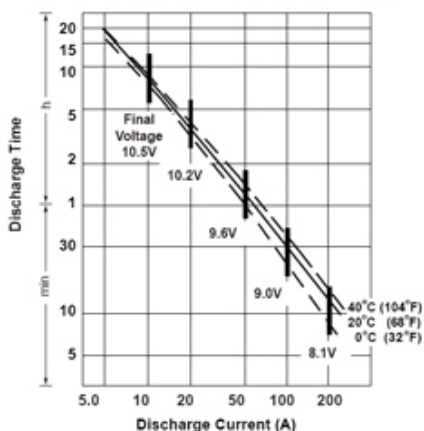
**DIMENSIONS** L: 12 inch (30.48 cm) W: 6.6 inch (16.76 cm) H: 8.98 inch (22.81 cm)

Tolerances are +/- 0.04 in. (+/- 1mm) and +/- 0.08 in (+/- 2mm) for height dimensions. All data subject to change without notice.

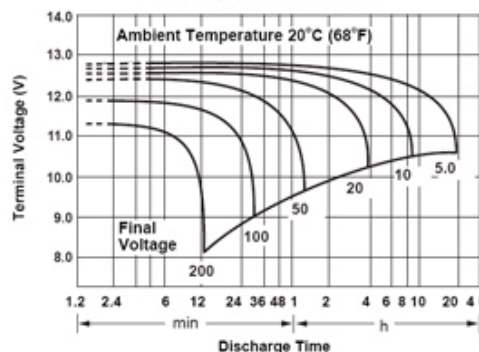


Constant Power Discharge Ratings								
MODEL	FINAL VOLTAGE	WATTS PER CELL @ 25° C						
		5 MIN	10 MIN	15 MIN	20 MIN	30 MIN	45 MIN	60 MIN
AP12-100P	1.75	550	395	312	267	207	152	128
	1.70	586	413	324	277	212	155	129
	1.67	605	421	330	283	215	158	130

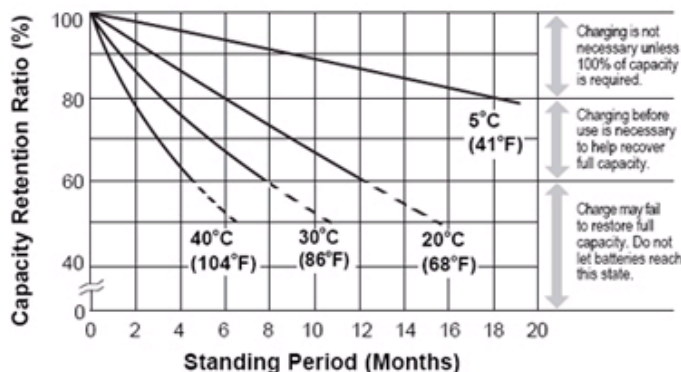
Discharge Time vs. Discharge Current



Discharge Characteristics



Shelf Life & Storage



**MAINTENANCE & CAUTIONS**

Float Service:

- Every month, it is recommended the battery voltage is inspected
- Every three months, it is recommended that an equalization charge is performed

**Further Information**

Please refer to our website [www.amstron.com](http://www.amstron.com) for a complete documentation, such as product catalogs, material safety data sheets (MSDS), ISO certification, UR certification, etc...

**CHARGING**

Limit initial current to 20.0A. Charge until battery voltage (under charge) reaches 14.4 to 14.7 volts at 68°F (20°C). Hold at 14.4 to 14.7 volts until current drops to under 1A. Battery is fully charged under these conditions and charger should be disconnected or switched to "float" voltage.

**Contact Information**

Amstron Power Solutions  
 28918 Hancock Parkway Valencia, CA 91355 U.S.A.  
 Tel: 818-504-1634 Fax: 818-504-1636  
 Email: [sales@amstron.com](mailto:sales@amstron.com)